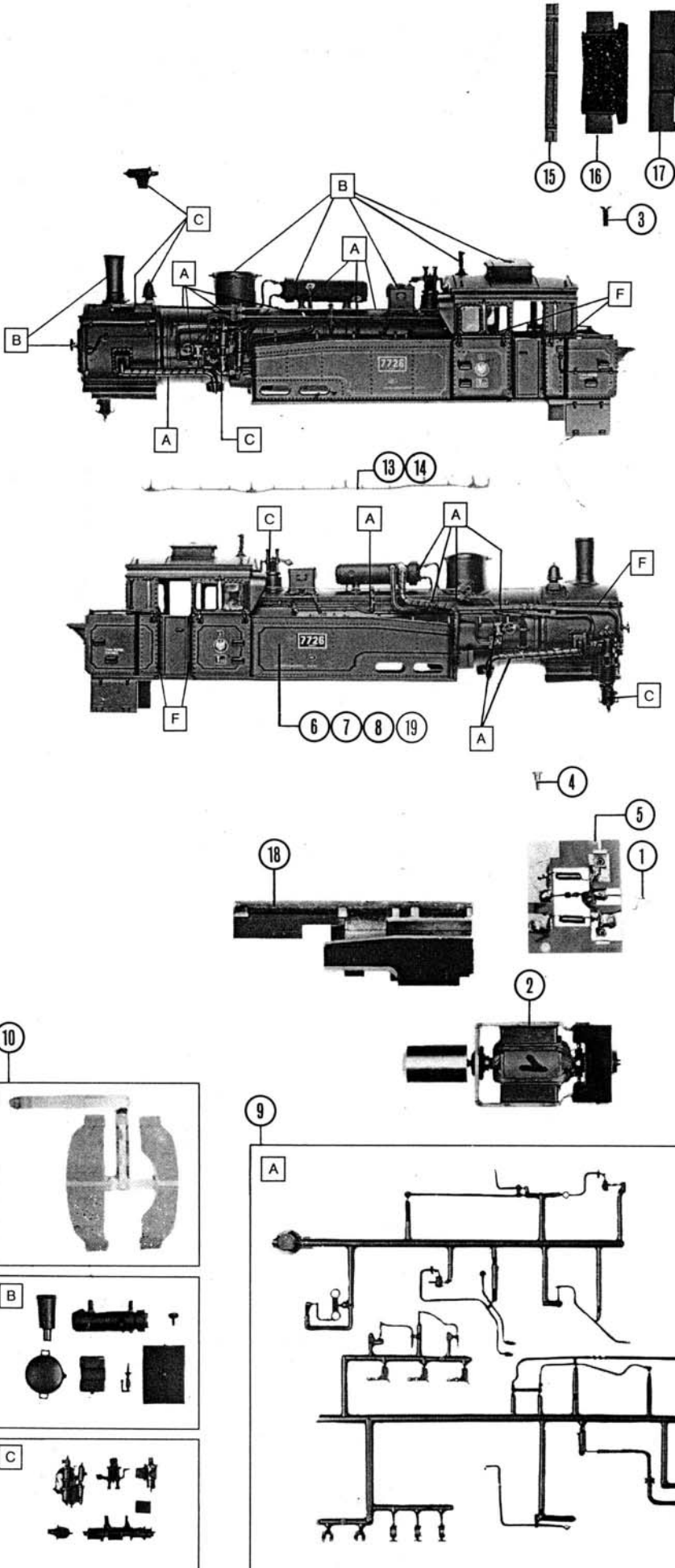


Original ROCO-Ersatzteile Original ROCO Replacement Parts



74
 130
 96
 KPEV T 12

43271
 43272
 43273
 (43025)



| St. Z. | Art.-Nr. neu | Art.-Nr. alt | Text | Preis-gruppe |
|--------|--------------|--------------|---|--------------|
| 1 | 10025 | 2586 S | Drahtlampe Lead bulb | — |
| 2 | 85044 | — | Motor mit Schwungmasse Motor with flywheel | — |
| 3 | 85714 | 81011 B-25G | Senkkopfschraube M2 x 4 Screw M2 x 4 | 2 |
| 4 | 85801 | 4112 S-134 | Schraube M1,4 Screw M1,4 | 2 |
| 5 | 87612 | — | Platine Printed circuit | 36 |
| 6 | 95380 | — | Gehäuse kpl. für 43271 Body assembly for 43271 | 73 |
| 7 | 95381 | — | Gehäuse kpl. für 43025 Body assembly for 43025 | 74 |
| 8 | 95382 | — | Gehäuse kpl. für 43272 Body assembly for 43272 | 74 |
| 9 | 95383 | — | Teile-Satz A Parts-set A | 30 |
| 10 | 95384 | — | Teile-Satz B Parts-set B | 18 |
| 11 | 95385 | — | Teile-Satz C Parts-set C | 20 |
| 12 | 95386 | — | Leitung für 43271 Pipe for 43271 | 20 |
| 13 | 95387 | — | Leitung für 43272 Pipe for 43272 | 3 |
| 14 | 95388 | — | Kohlenkasten Coal chest | 3 |
| 15 | 95389 | — | Kohlenimitation Coal-imitation | 3 |
| 16 | 95390 | — | Deckel Cover | 5 |
| 17 | 95391 | — | Gewicht Weight | 5 |
| 18 | 95428 | — | Gehäuse kpl. für 43273 Body assembly for 43273 | 25 |
| 19 | 95430 | — | — | 74 |

Text für Blatt 1102

| | | | | |
|----|-------|-------------|---|----|
| 19 | 10021 | 4572 S | Glühlampe Light bulb | — |
| 20 | 40243 | 4612 S | Kupplung Coupling | — |
| 21 | 85604 | 4689 S | Haltring Half ring | — |
| 22 | 85670 | 81000 B-250 | Traktionsfelge Screw M2 x 4 | 2 |
| 23 | 85672 | 81000 B-252 | Schraube M2 x 6 Screw M2 x 6 | 2 |
| 24 | 85674 | 81000 B-254 | Schraube M2 x 8 Screw M2 x 8 | 2 |
| 25 | 85678 | 81000 B-260 | Schraube M2 x 16 Screw M2 x 16 | 2 |
| 26 | 85715 | 81011 B-157 | Senkkopfschraube M2 x 5 Countersunk screw M2 x 5 | 2 |
| 27 | 85801 | 4112 S-134 | Schraube M1,4 lang Screw M1,4 long | 2 |
| 28 | 85802 | 4112 S-135 | Schraube M1,4 kurz Screw M1,4 short | 2 |
| 29 | 85803 | 4112 S-136 | Schraube M1 Screw M1 | 2 |
| 30 | 86100 | 4115 S-120 | Distanzhülse Distance tube | 5 |
| 31 | 86202 | 4149 S-066 | Feder Spring | 2 |
| 32 | 86208 | 14143 S-011 | Zugfeder Tensile spring | 2 |
| 33 | 86404 | 4151 B-003 | Zahnrad z 14; m 0,4 Gear T 14; m 0,4 | 2 |
| 34 | 86405 | 4151 B-004 | Zahnrad z 17; m 0,4 Gear T 17; m 0,4 | 2 |
| 35 | 86422 | 4122 S-110 | Zahnrad z 17; m 0,4 Gear T 17; m 0,4 | 2 |
| 36 | 86423 | 4114 S-025 | Achszahnrad z 23; m 0,4 Axle gear T 23; m 0,4 | 2 |
| 37 | 86701 | 4151 B-001 | Schnecke m 0,4 Worm m 0,4 | 5 |
| 38 | 86811 | — | Schneckensatz Worm set | 24 |
| 39 | 87020 | — | Siliconkardan Siliconcardan | 5 |
| 40 | 87613 | — | Platine für Stirnbeleuchtung Head lamp-printed circuit | 30 |
| 41 | 87614 | — | Radkontakt-Platine Wheel current contact-printed circuit | 35 |
| 42 | 88504 | 4114 S-400 | Buffer gewölbt Buffer vaulted | 4 |
| 43 | 88505 | 4114 S-401 | Buffer flach Buffer flat | 4 |
| 44 | 88521 | 4120 S-400 | Buffer flach Buffer flat | 4 |
| 45 | 88522 | 4120 S-401 | Buffer gewölbt Buffer vaulted | 4 |
| 46 | 89440 | — | Kuppelstange rechts Connecting rod right | 16 |
| 47 | 89441 | — | Kuppelstange links Connecting rod left | 16 |
| 48 | 88558 | — | Buffer flach I. 43273 Buffer flat I. 43273 | 4 |
| 49 | 88559 | — | Buffer gewölbt I. 43273 Buffer vaulted I. 43273 | 4 |
| 50 | 88560 | — | Buffer flach I. 43273 Buffer flat I. 43273 | 4 |
| 51 | 88561 | — | Buffer gewölbt I. 43273 Buffer vaulted I. 43273 | 4 |