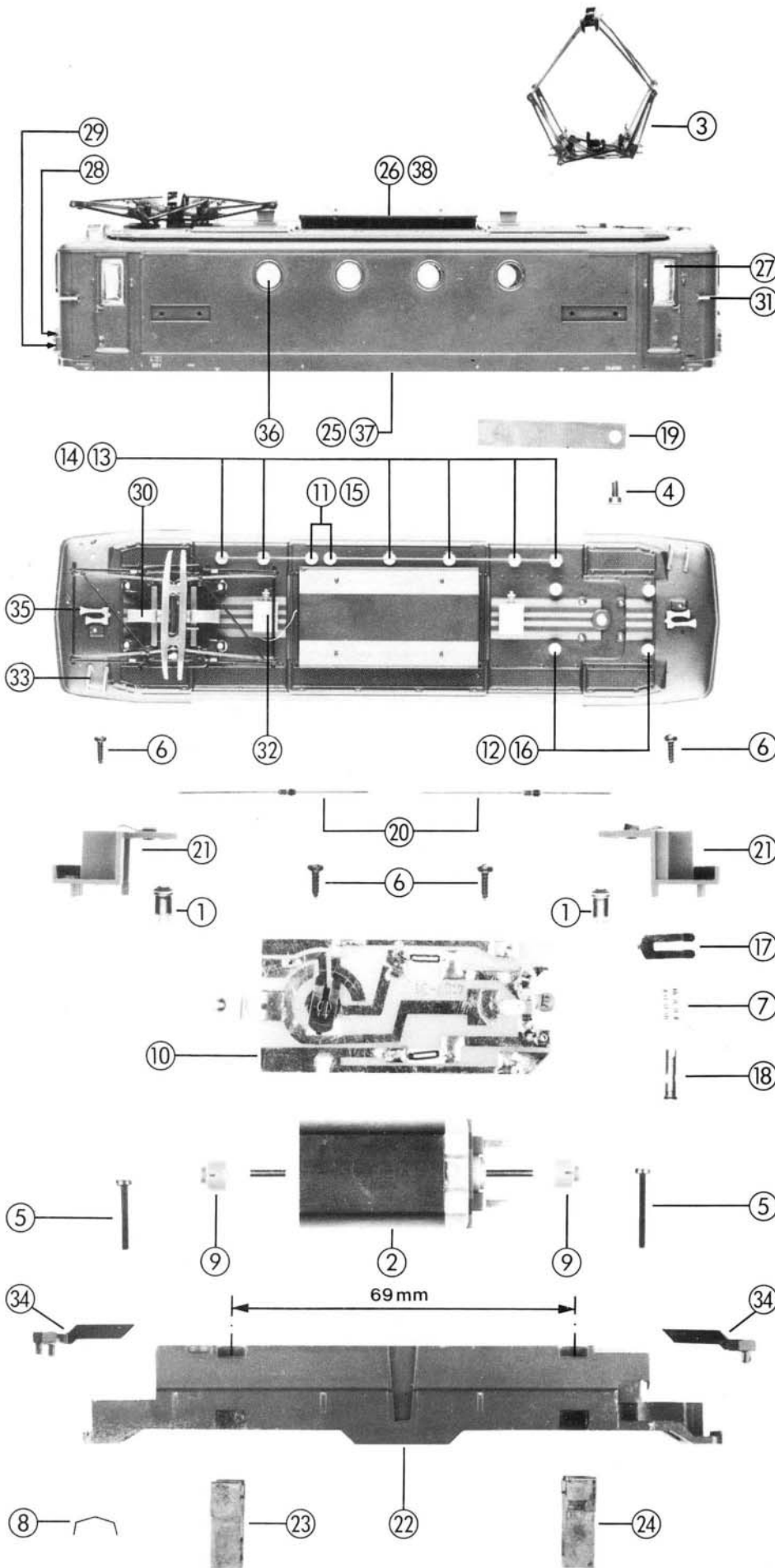


Original ROCO-Ersatzteile Original ROCO Replacement Parts



SNCF BB8100

43460
43466



Pos.-Nr.	Art.-Nr. neu	Art.-Nr. alt	Text	Preis-grüde
1	10026	4773S	Glühlampe Light bulb	99
2	85009	0913N	Motor Motor	99
3	85251	4787S	Stromabnehmer Pantograph	99
4	85670	81000B-250	Zylinderkopfschr. M2x4 Cheese headed screw M2x4	2
5	85677	81000B-258	Zylinderkopfschr. M2x14 Cheese headed screw M2x14	2
6	85800	81050B-255	Selbstschn.-Schr. M2,2x6,5 Screw M2,2x6,5	2
7	86205	4132S-077	Druckfeder Compression spring	2
8	86224	4170S-351	Drehgestellfeder Bogie spring	2
9	87007	4130S-138	Federnabe Spring pickup	3
10	87681	4170S-A10	Platine kpl. Printed circuit ass.	40
11	88081	4157S-025	Isolator weiß Insulator white	2
12	88087	4170S-010	Stromabnehmerisolator weiß Pantograph insulator white	2
13	88088	4170S-011	Isolator weiß Insulator white	2
14	88128	—	Isolator grau Insulator grey	2
15	88129	—	Isolator grau Insulator grey	2
16	88130	—	Stromabnehmerisolator grau Pantograph insulator grey	2
17	89711	4130S-031	Umschaltkontakt Switch contact	6
18	89714	4191S-059	Schaltbolzen Switch pin	6
19	89775	4170S-350	Oberleitungsverbinder Overhead supply connector	3
20	89890	4151S-031	Diode Diode	8
21	92944	4157S-A02	Inneneinrichtung m. Kontakt Interior with contact	12
22	93112	4170S-200	Grundrahmen Main frame	30
23	93115	4170S-203	Bügel 1 mit Rippe Frame 1 with rib	12
24	93116	4170S-204	Bügel 2 Frame 2	12
25	93800	—	Gehäuse kpl. f. 43460 Body ass. for 43460	68
26	93801	—	Dachaufsatz Push in part for roof	6
27	93802	—	Stirfenster Front glazing	6
28	93803	—	Linse weiß Lens white	4
29	93804	—	Linse rot Lens red	4
30	93805	—	Hebezyylinder Pantograph moving cylinder	3
31	93806	—	Griffstange Hand rail	2
32	93807	—	Blitzschutzgerät Lightning protective system	2
33	93809	—	Dachleiter Roof step	2
34	93810	—	Leuchtstab Light transmissions bar	4
35	93813	—	Dachhupe Air horn	2
36	93814	—	Seitenfenster Side glazing	6
37	93815	—	Gehäuse kpl. f. 43466 Body ass. for 43466	68
38	93816	—	Dachaufsatz für 43466 Push in part for roof	6