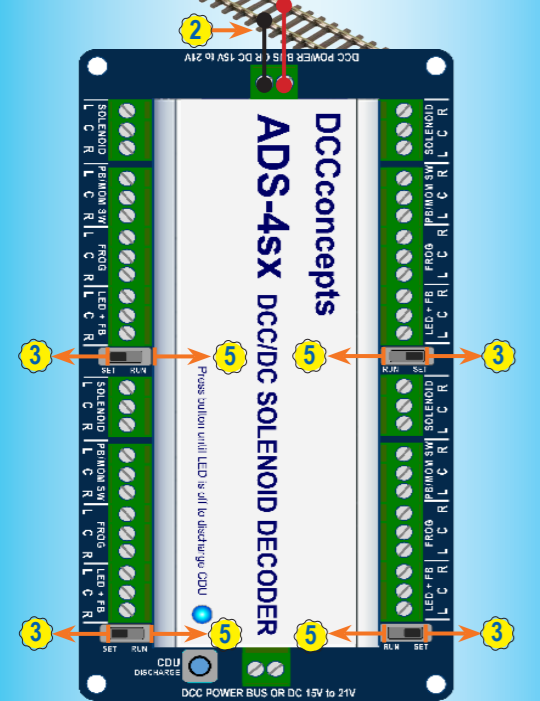


Setting the Address of your **Cobalt ADS-4sx**

Setting the ADS-4sx address is just a simple "learning" process

Giving your DCCconcepts ADS decoder its own address is very easy. While the DCCconcepts ADS-4sx is made to comply with the DCC standards, there are varying approaches to the setting of DCC addresses. Because of this please use **ONLY** these DCCconcepts instructions for setting the address of your ADS-4sx decoder outputs, as your DCC controllers accessory decoder instructions may not be valid for DCCconcepts or some other brand products. You do NOT ever need to connect ADS decoders to a programming track!

- 1 Decide which Address number that you wish the solenoid point motor that you connected to the ADS-4sx output to respond to.
- 2 Connect your ADS-4sx to the DCC track power bus OR if you have created it, the DCC accessory power bus.
- 3 Move the "SET/RUN" Switch to the SET position.
- 4 Follow your DCC system instructions for changing the Solenoid, Point / Turnout at the address you chose.
(ADS-4sx, being in SET mode will "hear" the number, learn it, adding it to its memory as its own address for future use).
- 5 Return the ADS-4sx Switch to the RUN position. Your ADS-4sx will now operate the points/turnouts each time you operate that address.



Need help or advice? Email us at sales@dccconcepts.com
To find out more visit our website and look in "Manuals and Advice"
www.dccconcepts.com

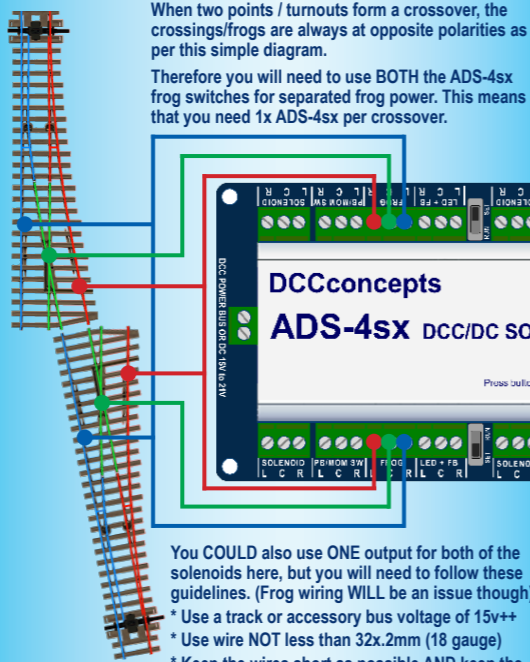


Special cases: **Cobalt ADS-4sx Frog Wiring**

FROG wiring differences - Wiring Frogs on a CROSSOVER

When two points / turnouts form a crossover, the crossings/frogs are always at opposite polarities as per this simple diagram.

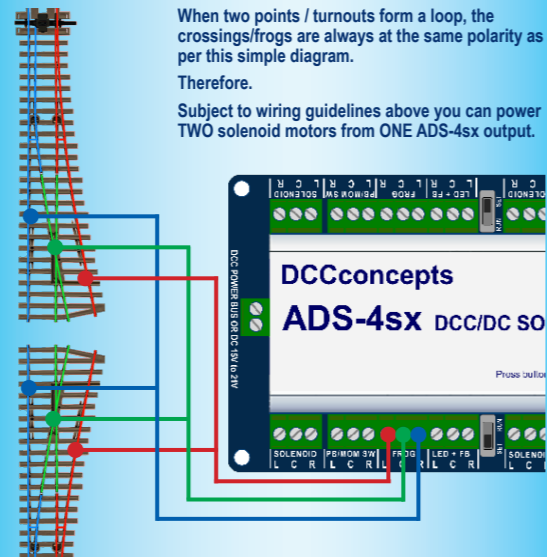
Therefore you will need to use BOTH the ADS-4sx frog switches for separated frog power. This means that you need 1x ADS-4sx per crossover.



FROG wiring differences - Wiring Frogs on a STORAGE LOOP

When two points / turnouts form a loop, the crossings/frogs are always at the same polarity as per this simple diagram.

Therefore. Subject to wiring guidelines above you can power TWO solenoid motors from ONE ADS-4sx output.



When it comes to Solenoids, efficiency REALLY matters as they are generally VERY power-hungry. While there are no DCCconcepts Solenoids, we DO test them all when we make our accessory decoders. Our conclusion: Gaugemaster PM10, PM20 surface mount or the Hattons PM-01 are the best choices.

The DCCconcepts **Cobalt Collection** - Innovative design and a creative approach to layout control that greatly improves performance while simplifying installation and wiring.

While the first Cobalt product was a unique form of point motor, the DCCconcepts "Cobalt Collection" is steadily evolving to become everything needed for the control of your layout.

The Cobalt range now includes a wide range of Point Motors, Signal Levers and extremely high-feature level Accessory Decoders... accompanied by an economical and versatile range of Accessories. The range continues to evolve with the addition of Cobalt ALPHA, which digitises switching of all types and is almost totally "Plug and Play". Cobalt ALPHA lets you create professional looking control panels without fuss and with NO complicated wiring. With a fully featured DCCconcepts Control system nearing release, accompanied by sophisticated, simple to use detection, overload protection devices and auto-reversers, the Cobalt Range keeps evolving towards tomorrow.

Cobalt iP Digital Point Motor

Cobalt iP Digital includes all of the features you can imagine!

Connection-wise, in addition to onboard FROG power switching and a second independent SPDT switch for any use you might imagine, we've also added a second set of momentary push button switch contacts for fully independent left / right "change direction" control (instead of 1-button toggled push-button control).

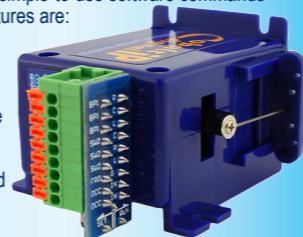
This gives you totally independent control panel and digital control making Cobalt iP Digital perfect for both DC and DCC users.

Cobalt iP Digital is comfortable with 7-23v DCC track power and is super-easy to install as it's delivered self-centred and ready to go!

Cobalt iP Digital also has three simple-to-use software commands built in. These convenience features are:

- * Swap direction of motor throw
- * Self Centering ON
- * Self Centering OFF

These new software options are REALLY simple to use because all you need to do is move the switch to RUN and use standard "operate accessory" commands from your DCC control system.



Cobalt Digital meets all DCC standards and also integrates perfectly with DCCconcepts ALPHA products such as Alpha-Switch D, Alpha Central and of course, DCCconcepts exciting Alpha MIMIC system. DCCconcepts ALPHA products make the creation of a control panel simple, reducing the need for wiring inside the panel by 95% or more!

TOP TIP - Wiring multiple switches to one output. Or indeed, multiple outputs to ONE switch! You can experiment with this as switches connected to an ADS-4sx can be used to set entire routes!

Pushbutton switches ONLY make contact when pressed, so you could, for example, just connect ONE switch to multiple ADS-4sx switch terminals so that it can control several points / turnouts all at the same time. You could also connect two switches to ONE output so you can have control from two quite separate operating positions. Have fun and experiment carefully.

DCW-PW25 PLAITED WIRE MAKES GOOD SENSE!

DCCconcepts make a unique plaited 3-core wire for the connection of solenoids. The plaiting cancels induction and helps to suppress the voltage spike generated by magnetic field collapse when the coil solenoid turns off.

Additionally of course it keeps your wiring looking tidy and professional while delivering power with no losses.

Accessory wiring just can't get any easier than this!

Cobalt Alpha Central is literally a complete, ready-to-use digital control panel for 12 points or turnouts... ready to go, in a box!

In fact it is so simple to set-up and use that the instructions could simply read "Unpack-Plug in-Change points"

Alpha Central can be connected directly to any NCE system - however other DCC brands are not forgotten. Low cost adapter leads are available and Alpha central can even be used by DC modellers when combined with Alpha Box or Alpha-Sniffer which creates a low cost Digital Accessory power bus generator. (A clever move for DC users as "Digital Accessory Control" greatly reduces wiring complexity while extending layout control abilities)

Alpha Central also combines very easily with the Alpha Box 5 Amp intelligent booster to create an accessory power bus, immediately increasing any DCC systems output power while adding the luxury of intelligent Alpha Accessory control to entry level systems such as Gaugemaster Express & Bachmanns EZ command entry level unit.

Do you already have a full feature DCC system? You will still benefit, as DCCconcepts Cobalt Alpha also adds the luxury of almost wire-free manual control-panel operation to a wide range of aftermarket systems of all brands, including the screen-based Z21 or EcOS. Multiple Alpha-Central units can be linked to control 2000+ Accessories & addressing your Accessory decoders becomes incredibly simple once you have installed Cobalt Alpha in ANY of its forms as your DCC control interface.



Cobalt-S Traditional Signal Levers

Cobalt-S is something very special. For the first time, the average modeller in ANY scale can have a signal-box lever that operates just like the real thing. Even better, the Cobalt-S lever really is the most versatile control device ever offered by anyone, as it can literally control everything ever made... by any brand - in any scale.

Cobalt-S includes both a momentary contact SPDT changeover switch and TWO on-on SPDT changeover switches, giving it the ability to work with AC, DC or DCC control and literally capable of operating every item ever designed for use with a model railway.

At 140mm high, it is a substantial product that is very satisfying to use... the lever and mechanism itself is solid brass, the contacts are high quality long-life phosphor bronze and the case is a tough engineering plastic.

Cobalt-S oozes quality and as a result it is guaranteed for life!

The full Cobalt-S range can be seen at www.dccconcepts.com...

Please drop in and take a look soon!



Cobalt iP Analog Point Motor

While the shape is familiar, our Cobalt iP Analog has the same quiet operation and 3 on-board switches of Cobalt Ω & a simple to use "Swap direction" switch to let you synchronise the changing of direction with software / macros or route control.

We have also added something very special inside... The iP in the Cobalt iP Analog name means Intelligent power control! Cobalt iP Analog self-manages power use for the same drive speed irrespective of voltage (7-23v is OK).

When it's standing still, Cobalt iP Analog draws only enough power to listen for the next command and even when operating, it draws only 40-60mA. That is in fact less than the current draw of one super bright LED! Cobalt iP Analog really is the best choice for larger, busy layouts!

